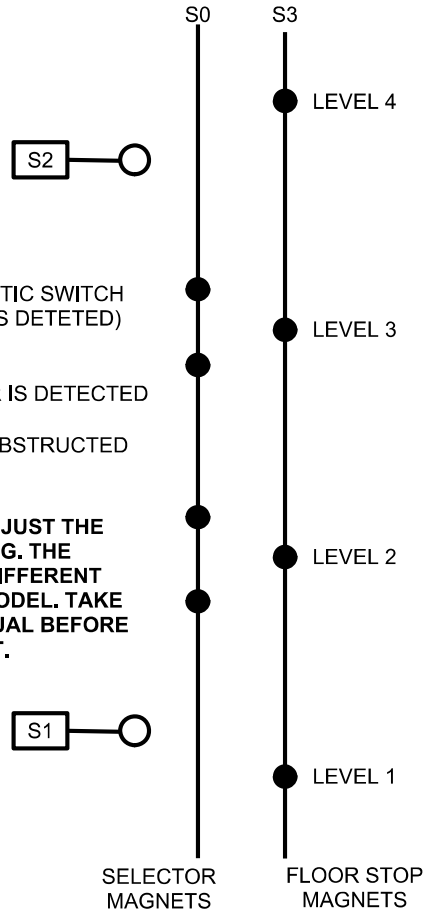


S0-S3: MONOSTABLE MAGNETIC SWITCH
(CLOSED WHEN A MAGNET IS DETECTED)

S1-S2: CLOSED WHEN THE CAR IS DETECTED

PTC: CLOSED WHEN DOOR OBSTRUCTED

THIS SCHEMATIC SHOWS JUST THE INPUT-OUTPUT SETTING. THE CONNECTIONS MAY BE DIFFERENT DEPENDING ON THE PLC MODEL. TAKE A LOOK AT YOUR PLC MANUAL BEFORE YOU CONNECT IT.



- I1...I4 = INTERIOR REQUESTS BUTTONS
- E1...E4 = EXTERIOR REQUESTS BUTTONS
- S0 = SELECTOR MAGNETIC SWITCH
- S3 = FLOOR STOP MAGNETIC SWITCH
- S1 = FIRST FLOOR DUMP SWITCH
- S2 = TOP FLOOR DUMP SWITCH
- PTC = PHOTOCCELL
- CLS = CLOSE LIMIT SWITCH
- OLS = OPEN LIMIT SWITCH
- DC = DOOR CLOSE CONTACTOR
- DO = DOOR OPEN CONTACTOR
- LS = LOW SPEED CONTACTOR
- HS = HIGH SPEED CONTACTOR
- D = DOWN CONTACTOR
- U = UP CONTACTOR

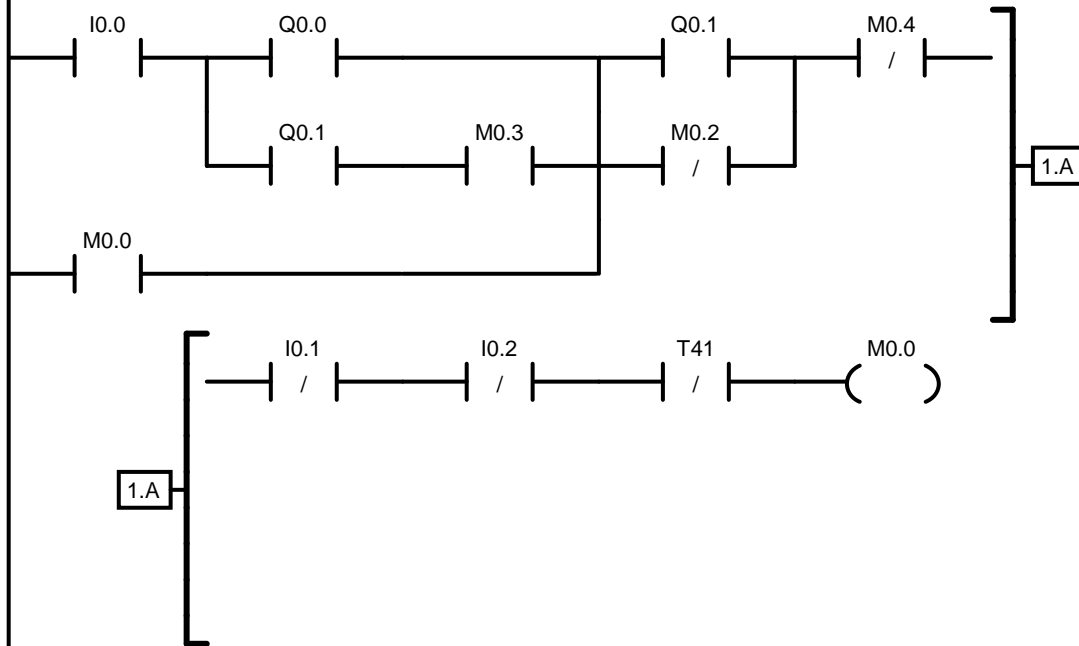
Blocco: MAIN
 Autore:
 Data di creazione: 17.12.2008 11:05:13
 Ultima modifica: 21.01.2009 20:44:00

| Simbolo | Tipo variabile | Tipo di dati | Commento |
|---------|----------------|--------------|----------|
| | TEMP | | |
| | TEMP | | |
| | TEMP | | |
| | TEMP | | |

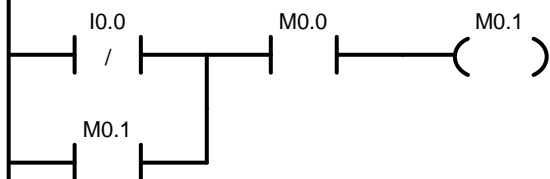
M0.0-M0.2-M0.4 selector markers

Segmento 1 Titolo del segmento

M0.0 turns on when the car comes close to the second floor. While going down keeps on until the car comes close to the first floor.

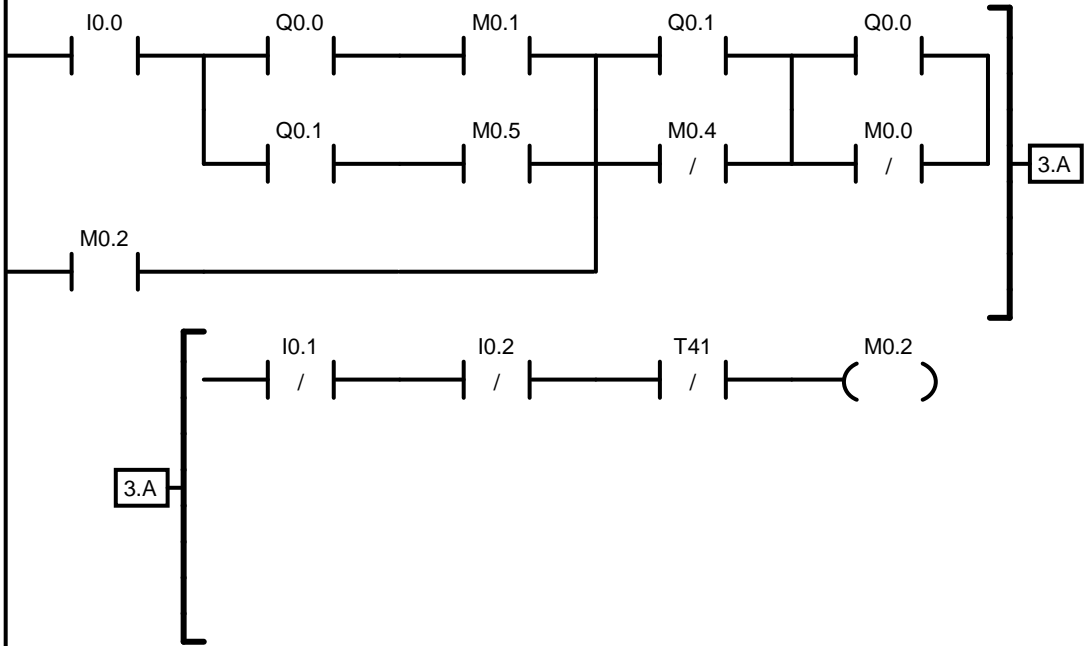


Segmento 2

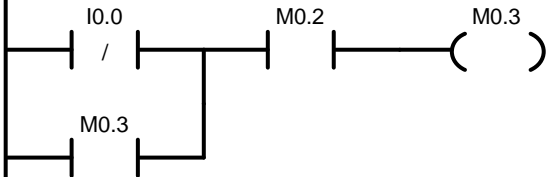


Segmento 3

M0.2 turns on when the car is between the second and third floors.

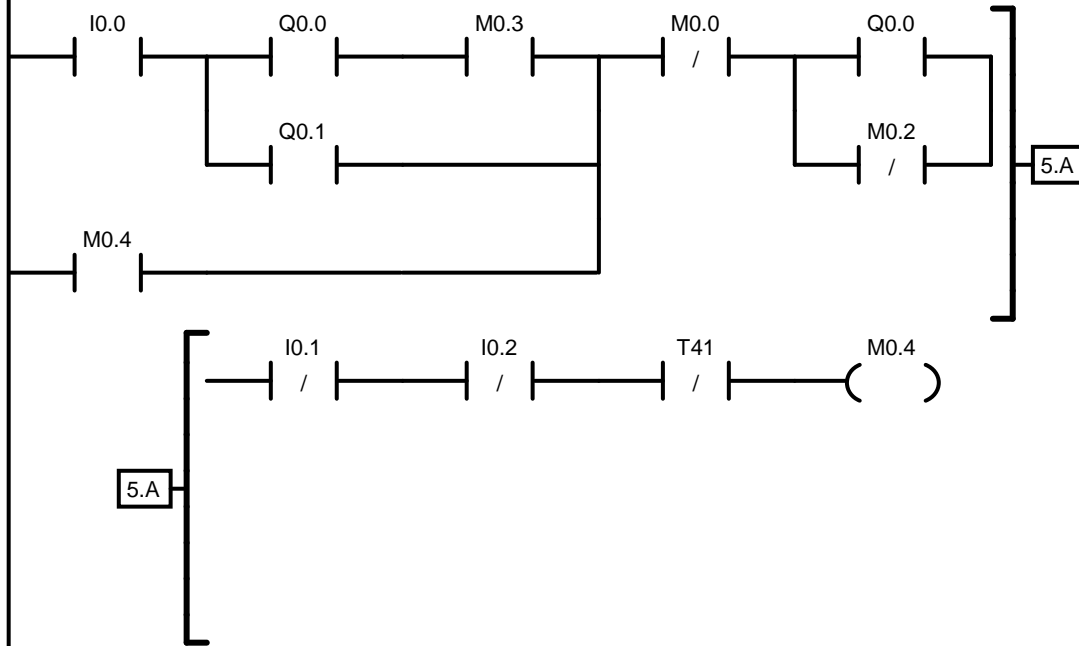


Segmento 4

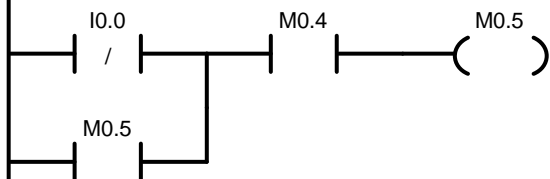


Segmento 5

M0.4 turns on when the car comes close to the third floor. While going up keeps on until the car comes close to the top floor.

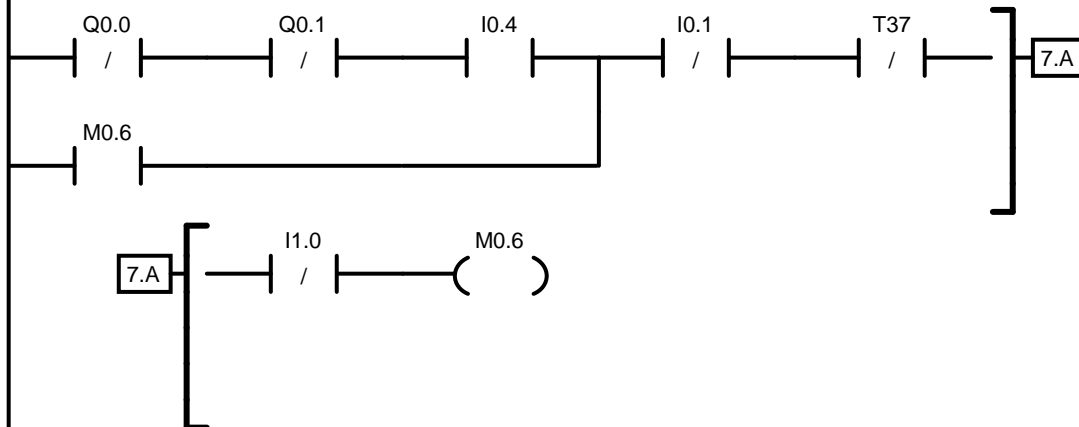


Segmento 6



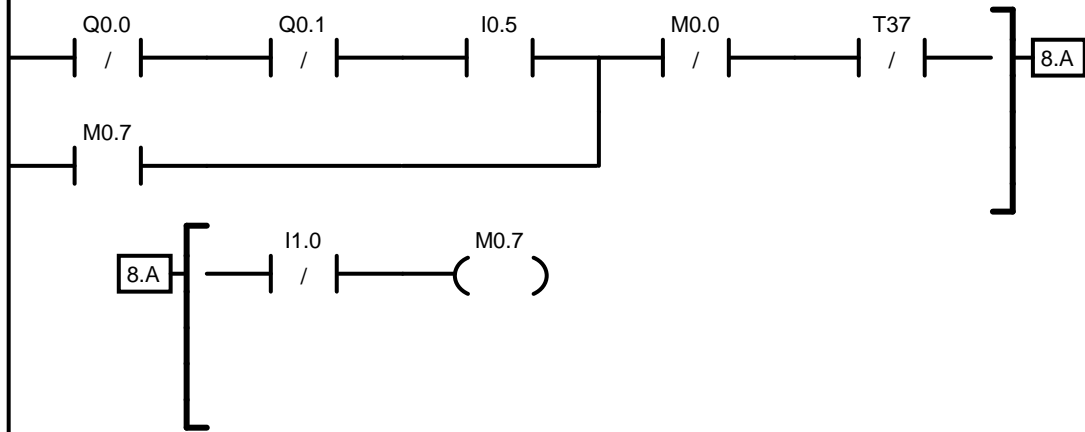
Segmento 7

Level 1 request



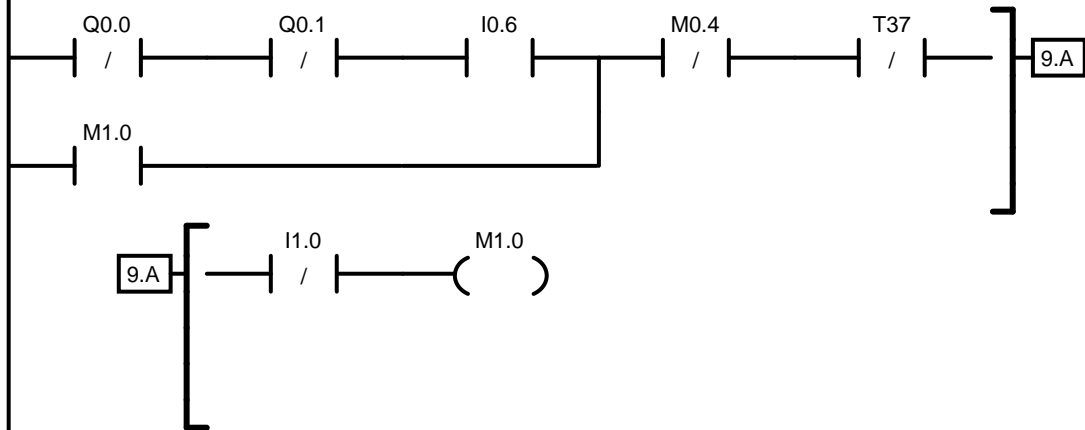
Segmento 8

Level 2 request



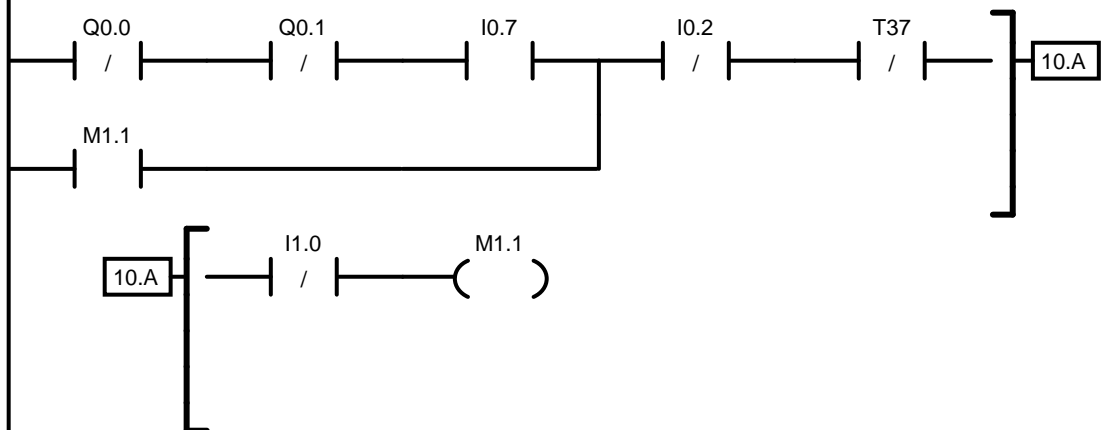
Segmento 9

Level 3 request



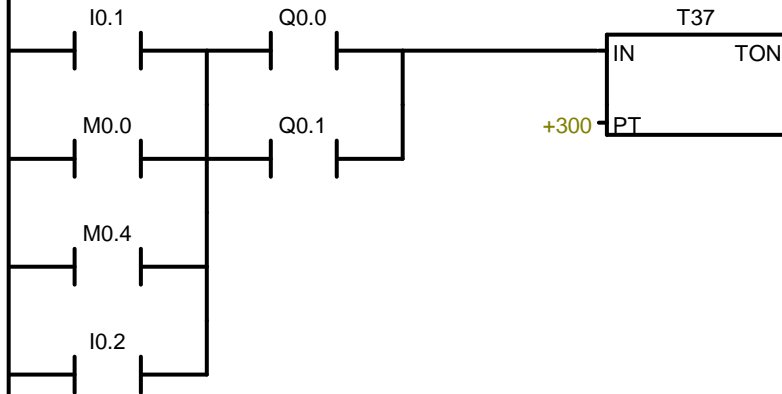
Segmento 10

Level 4 request



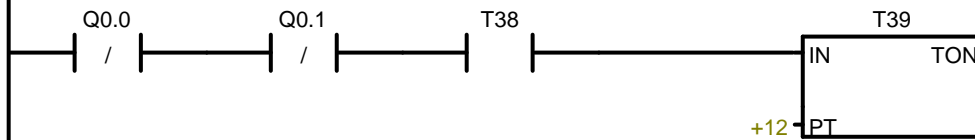
Segmento 11

T37 is supposed to reset the program condition in case of door lock fail.



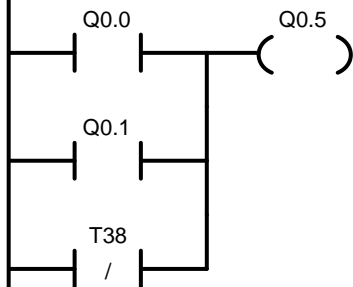
Segmento 12

If a button is pressed and none of the direction instructions turns on, maybe the car is already at the requested floor. So after one second T39 turns on and lets the door open.



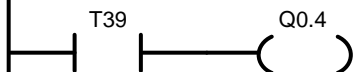
Segmento 13

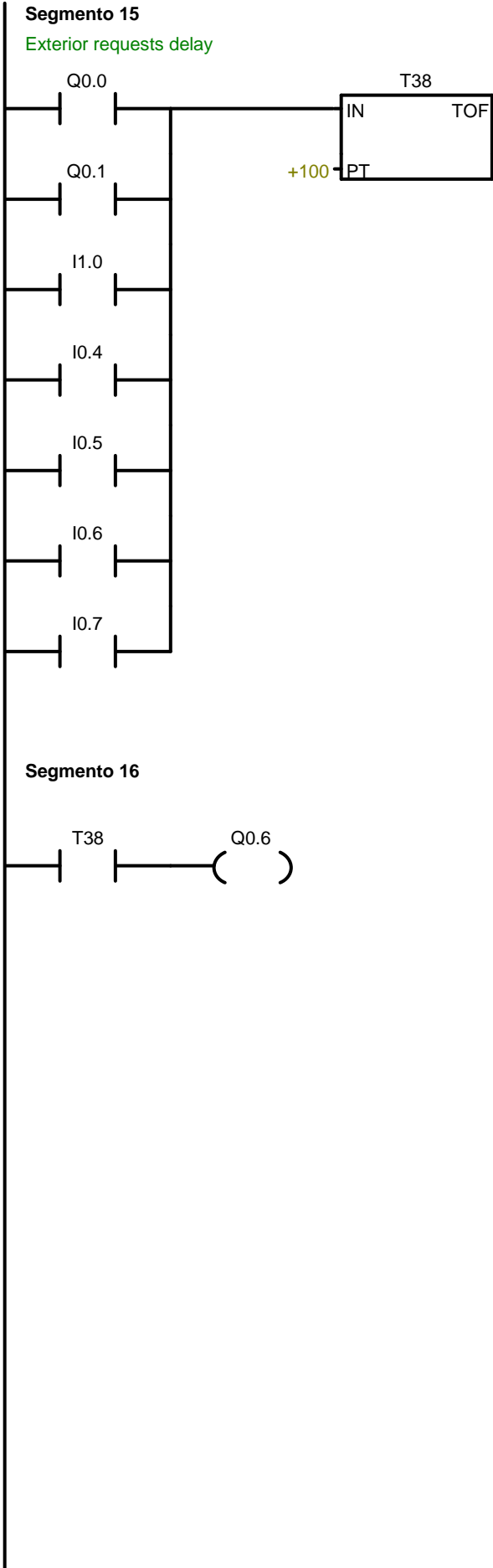
Door close output



Segmento 14

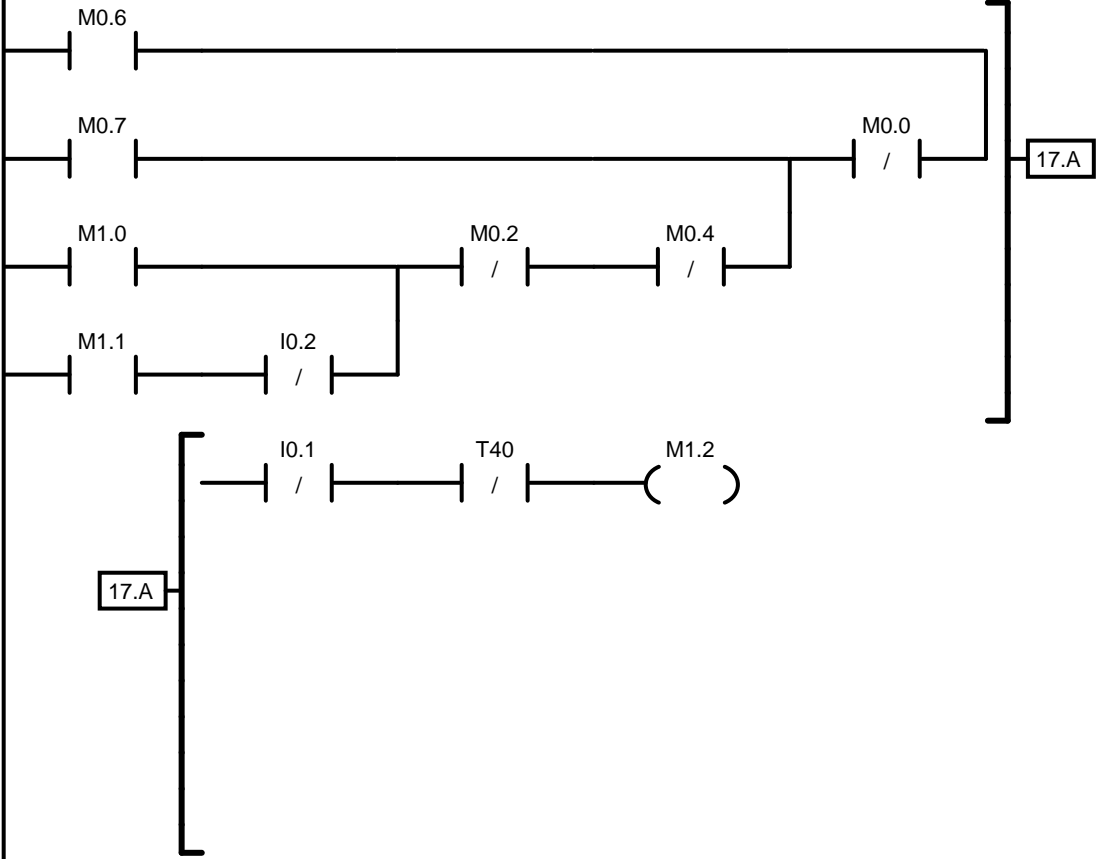
Door open output





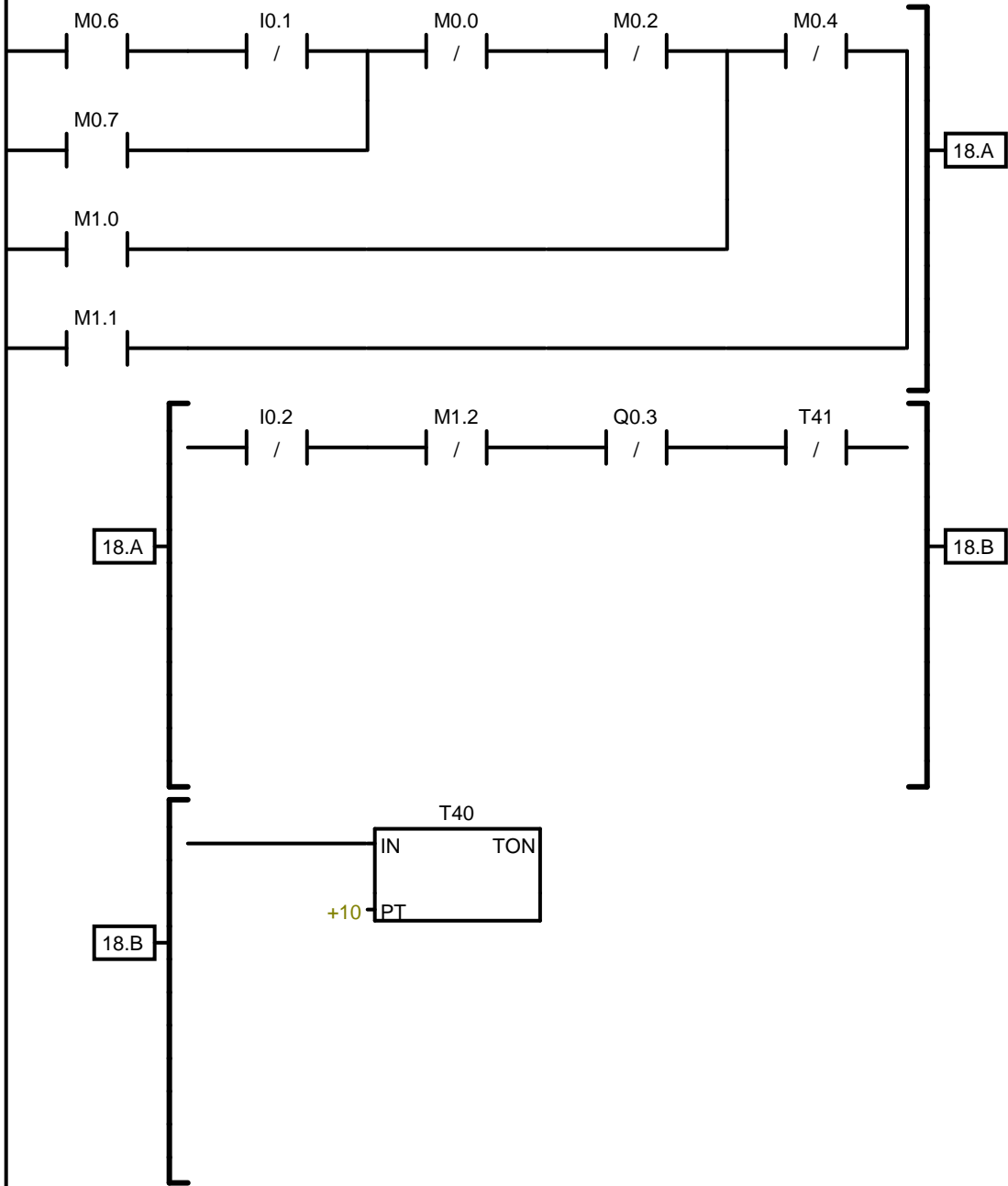
Segmento 17

Direction intruccion: DOWN



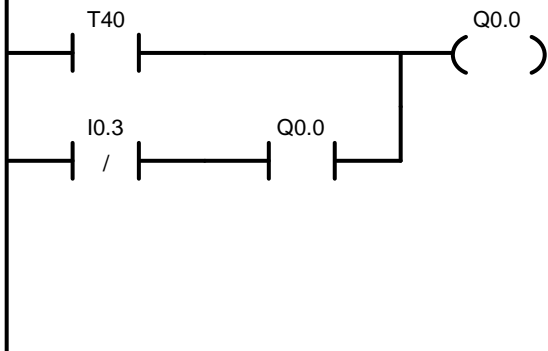
Segmento 18

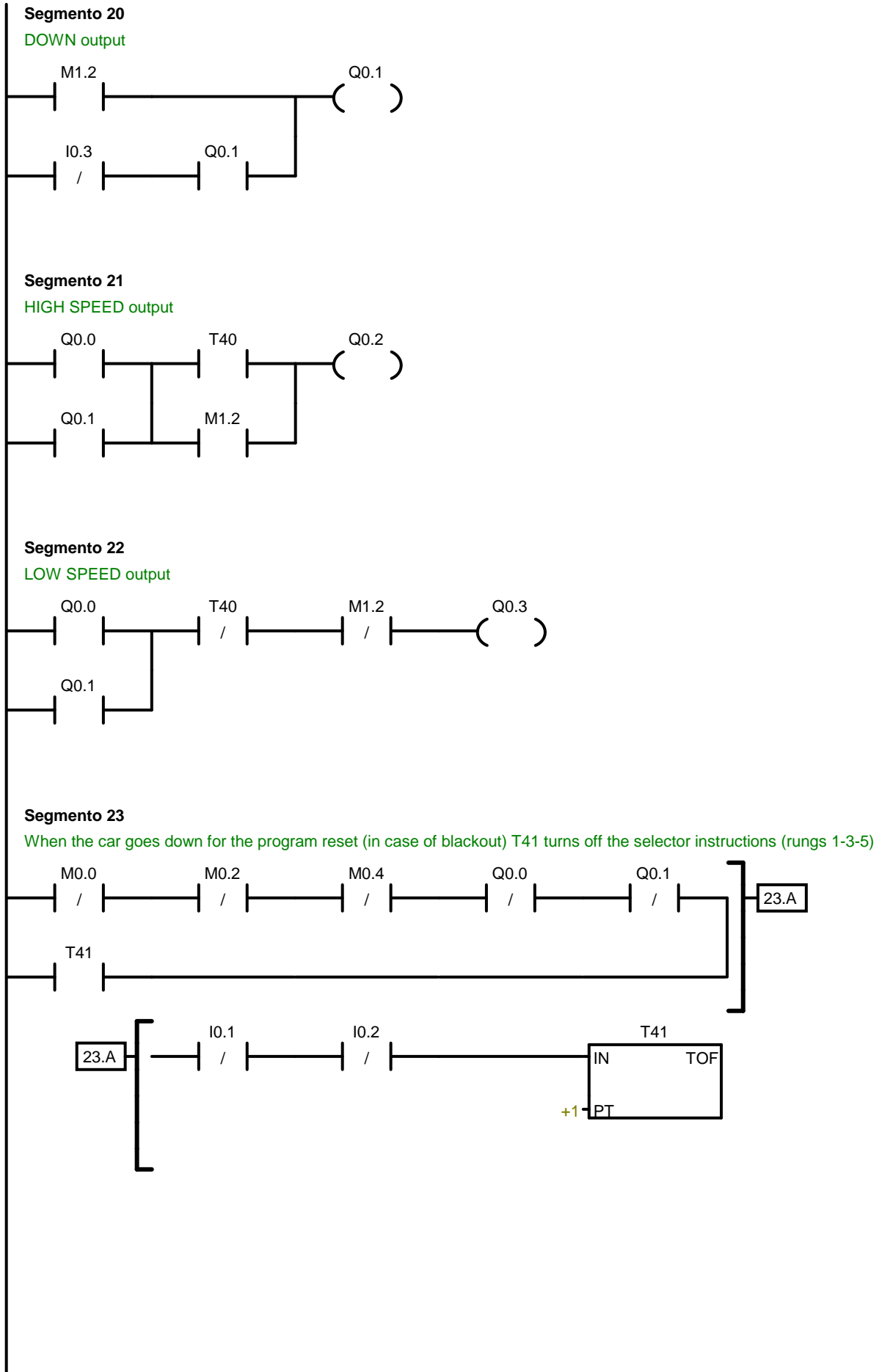
Direction instruction: UP



Segmento 19

UP output





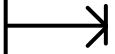
Blocco: SBR_0
Autore:
Data di creazione: 17.12.2008 11:05:13
Ultima modifica: 17.12.2008 11:05:13

| Simbolo | Tipo variabile | Tipo di dati | Commento |
|---------|----------------|--------------|----------|
| EN | IN | BOOL | |
| | IN | | |
| | IN_OUT | | |
| | OUT | | |
| | TEMP | | |

COMMENTI DEL SOTTOPROGRAMMA

Segmento 1 Titolo del segmento

Commento del segmento



Blocco: INT_0
Autore:
Data di creazione: 17.12.2008 11:05:13
Ultima modifica: 17.12.2008 11:05:13

| Simbolo | Tipo variabile | Tipo di dati | Commento |
|---------|----------------|--------------|----------|
| | TEMP | | |
| | TEMP | | |
| | TEMP | | |
| | TEMP | | |

COMMENTI DELLA ROUTINE DI INTERRUPT

Segmento 1 Titolo del segmento

Commento del segmento

